

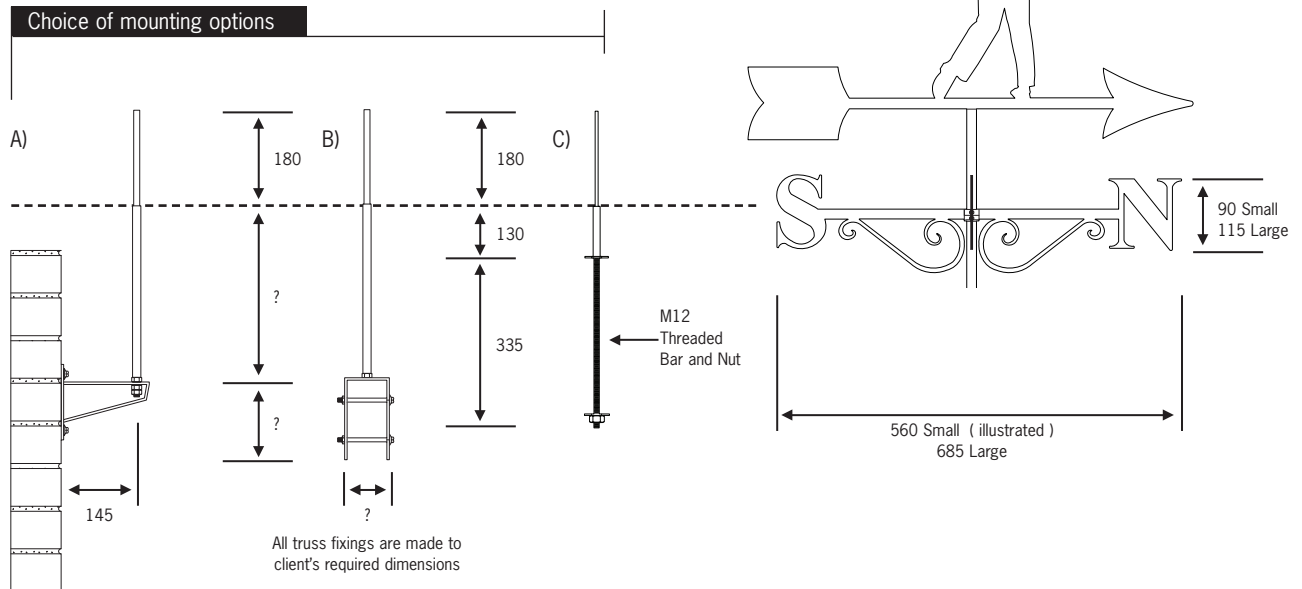
Hawkins Weathervane: Fixings & Dimensions

All weathervanes are supplied with one of the following:

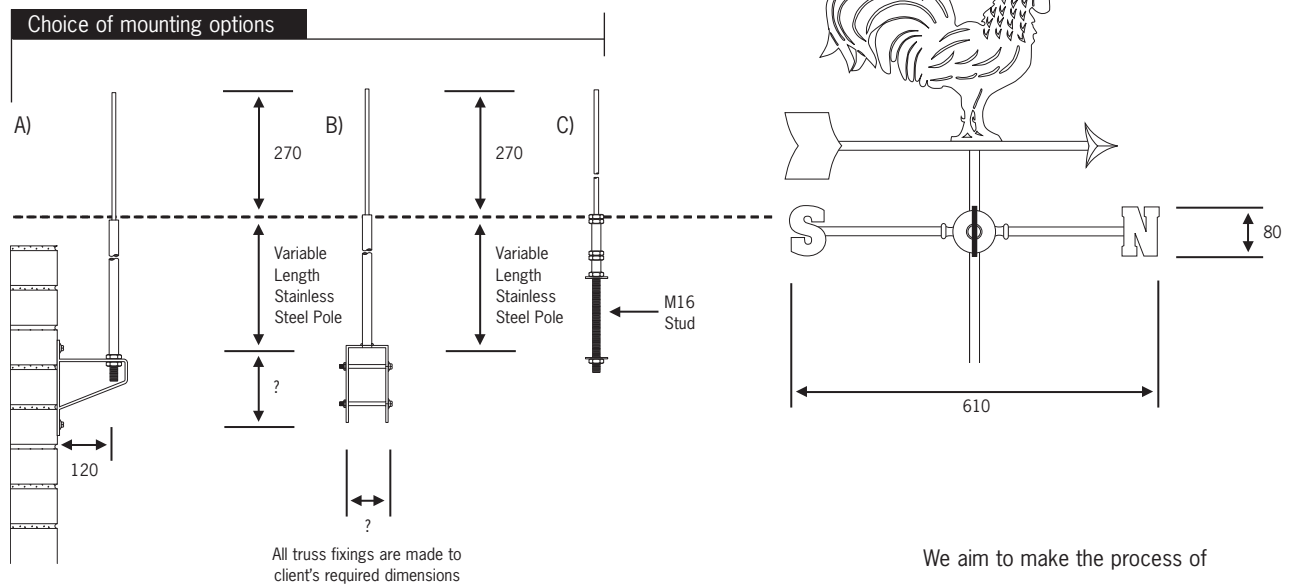
- A) Gable fixing
- B) Roof Truss fixing
- C) Clock Tower fixing

If no choice is specified, the Gable fixing will be supplied.

Forgemaster Standard weathervanes



Cast Aluminium weathervanes



We aim to make the process of selection, ordering etc as easy as possible. Please follow our guidelines opposite. If you do have any problems, do not hesitate to contact us.

Every care has been taken in the production of these drawings and the dimensions are correct. We can not however guarantee accuracy or consistency of scale - all drawings are for guidance only. All dimensions in mm.

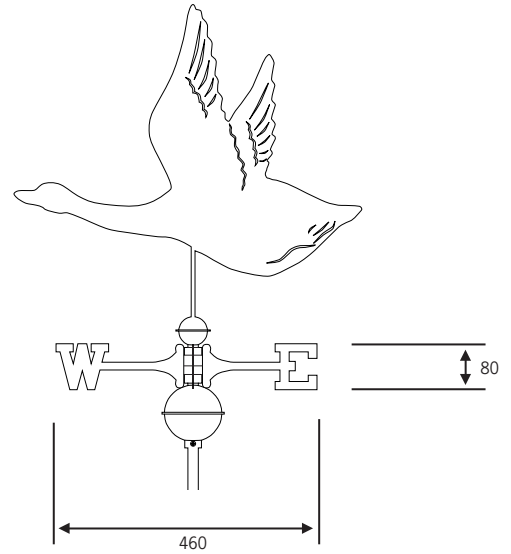
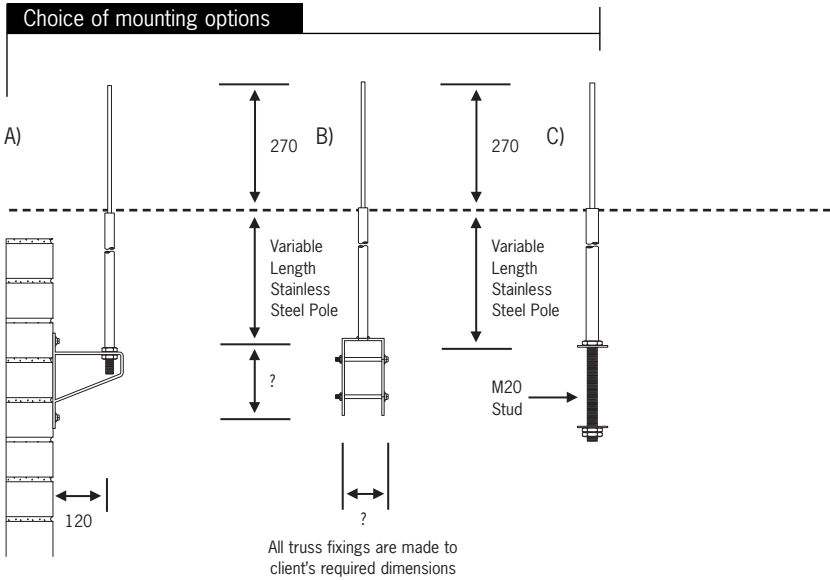
Hawkins Weathervane: Fixings & Dimensions

All weathervanes are supplied with one of the following:

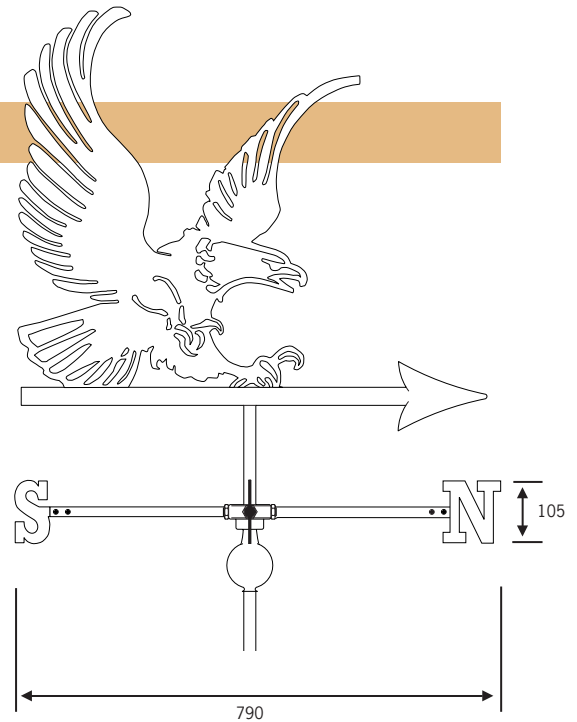
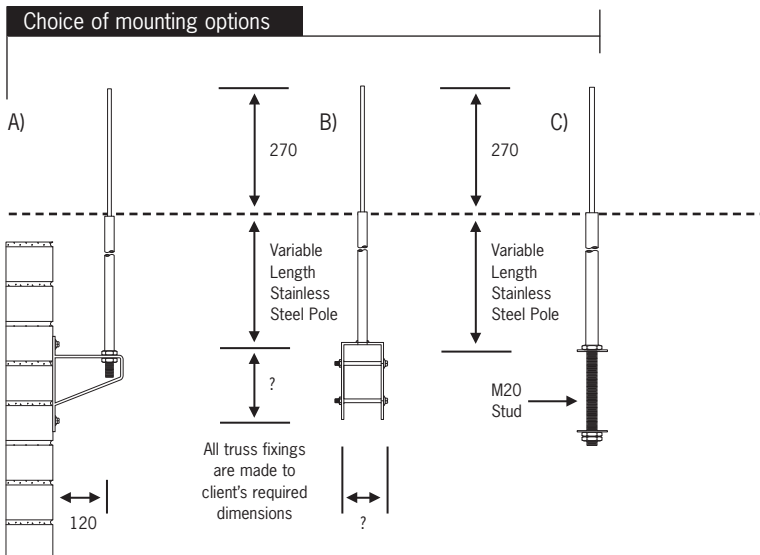
- A) Gable fixing
- B) Roof Truss fixing
- C) Clock Tower fixing

If no choice is specified, the Gable fixing will be supplied.

3D Copper weathervanes



Architectural weathervanes



All weathervanes on these pages are illustrated to show size in relation to each other.

How to Order or Specify a Pillar clock tower or set up a Tender document

(Quantity) no. Hawkins (Forgemaster, cast aluminium, 3D copper, architectural or bespoke) weathervane with (cockerel, horse etc) design.
The pole of the weathervane to be (gable, roof truss or clock tower) fixing.

Eg. (1) no. Hawkins (Forgemaster) weathervane with (racehorse past the post) design. The pole of the weathervane to be (gable) fixing.